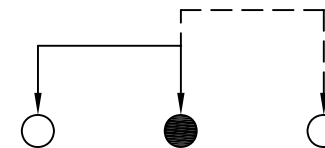
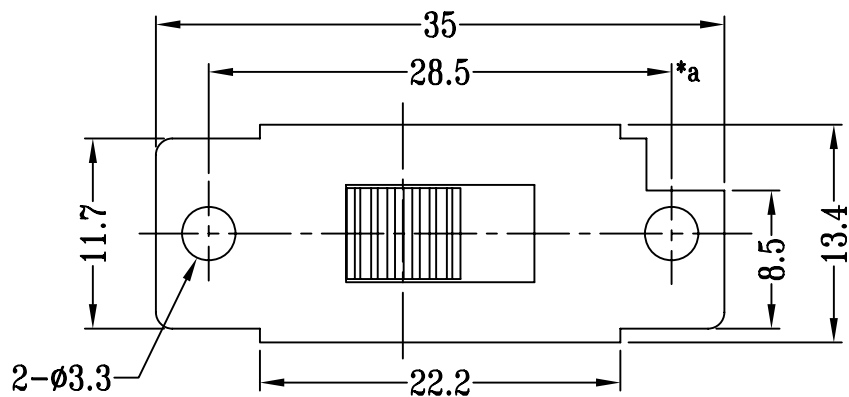
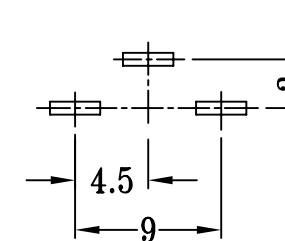
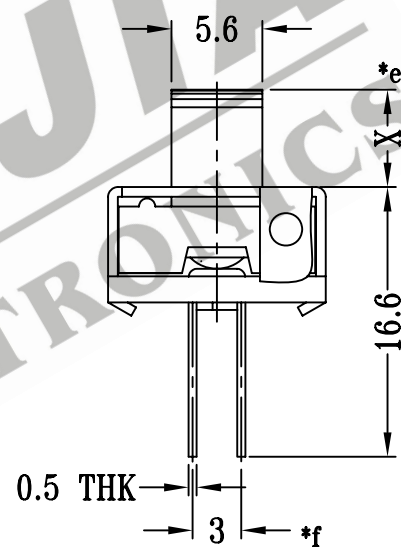
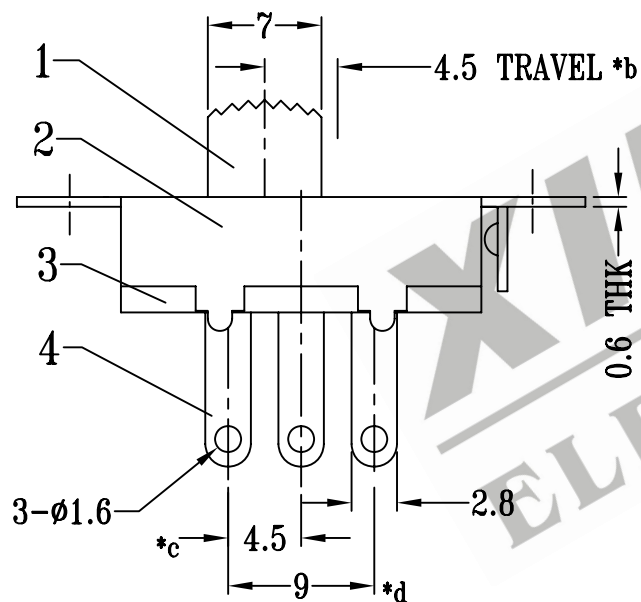




CAD FILE:



SCHEMATIC (NON-SHORTING)



P.C.B LAYOUT

注:带"*"表示关键尺寸(6个)

NO.	PART NAME	MATERIAL	QTY	FINISHING	TOLERANCE UNLESS SPECIFIED	SHENZHEN XIEJIA ELECTRONICS CO.,LTD.				
8										
7										
6	CONTACT CLIP	COPPER	1	Ag PLATED	WITHIN: 1.5±0.1mm OVER : 1.5±0.2mm	ISSUE	DATE	DESCRIPTIONS		APPD
5	SPRING	STEEL WIRE	1	TEMPER				DRWG NO.: XJ-DR-SS12I01-00		
4	TERMINAL	COPPER STRIP	3	Ag PLATED OVER Ni PLATED	TITLE: VERTICAL SLIDE SWITCH	UNIT : MM				
3	TERMINAL BASE	PHENOLIC RESIN	1	BLACK	MODEL: SS-12I01	SCALE: 2 : 1		DWN	ZHOUYU	2002-5-7
2	FRAME	STEEL STRIP	1	Zn PLATED				CHK'D	FANGYING	2002-5-7
1	KNOB	PC	1	BLACK				APPD	KANGXINAN	2002-5-7
					ALL MATERIALS MUST BE COMPLIANT TO ROHS					